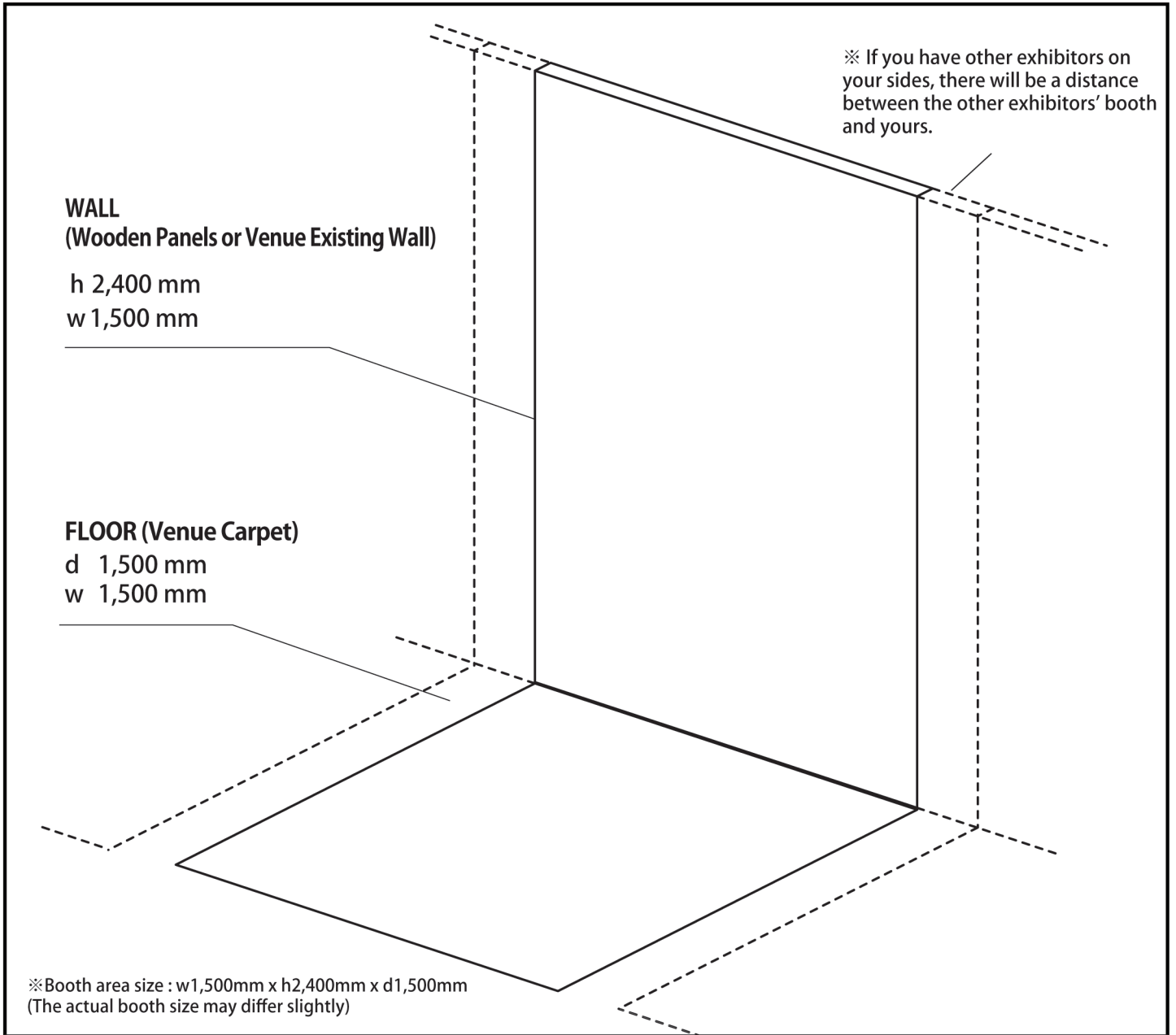


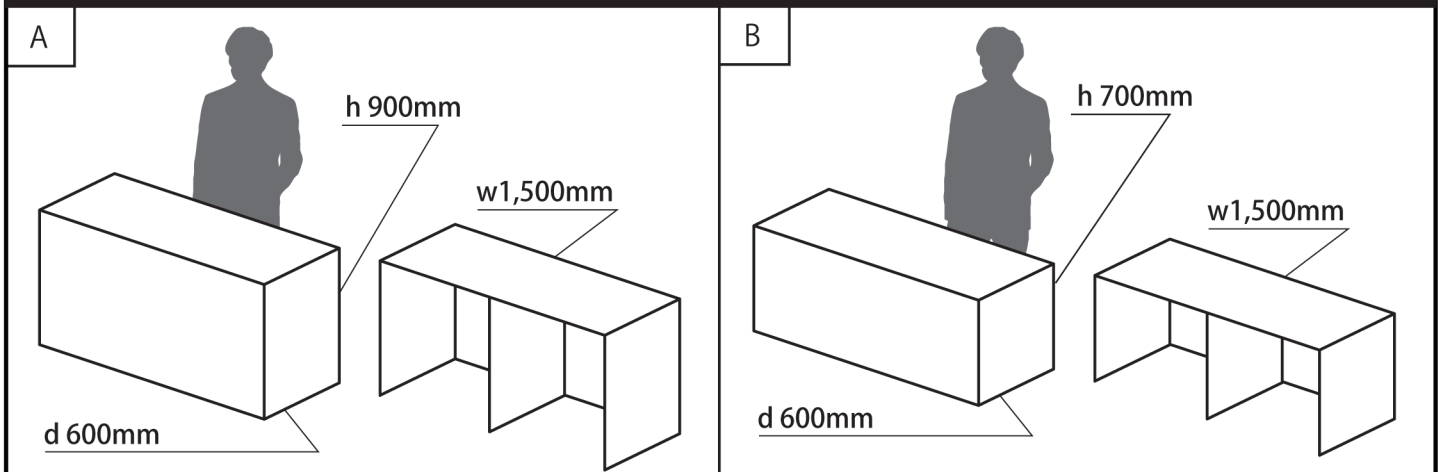
Registration number (Office use only)

## MARKET

■ Exhibition plan image ※ Each application should not contain more than one exhibition plan.



The applicant can select either one of [A] or [B] Counter in the application form. Please include the counter into you exhibition plan image.



※ Please make sure that your entire exhibition plan is comprised into the limits of your booth.

※ If you hand write anything, please make sure that your writing is understandable.