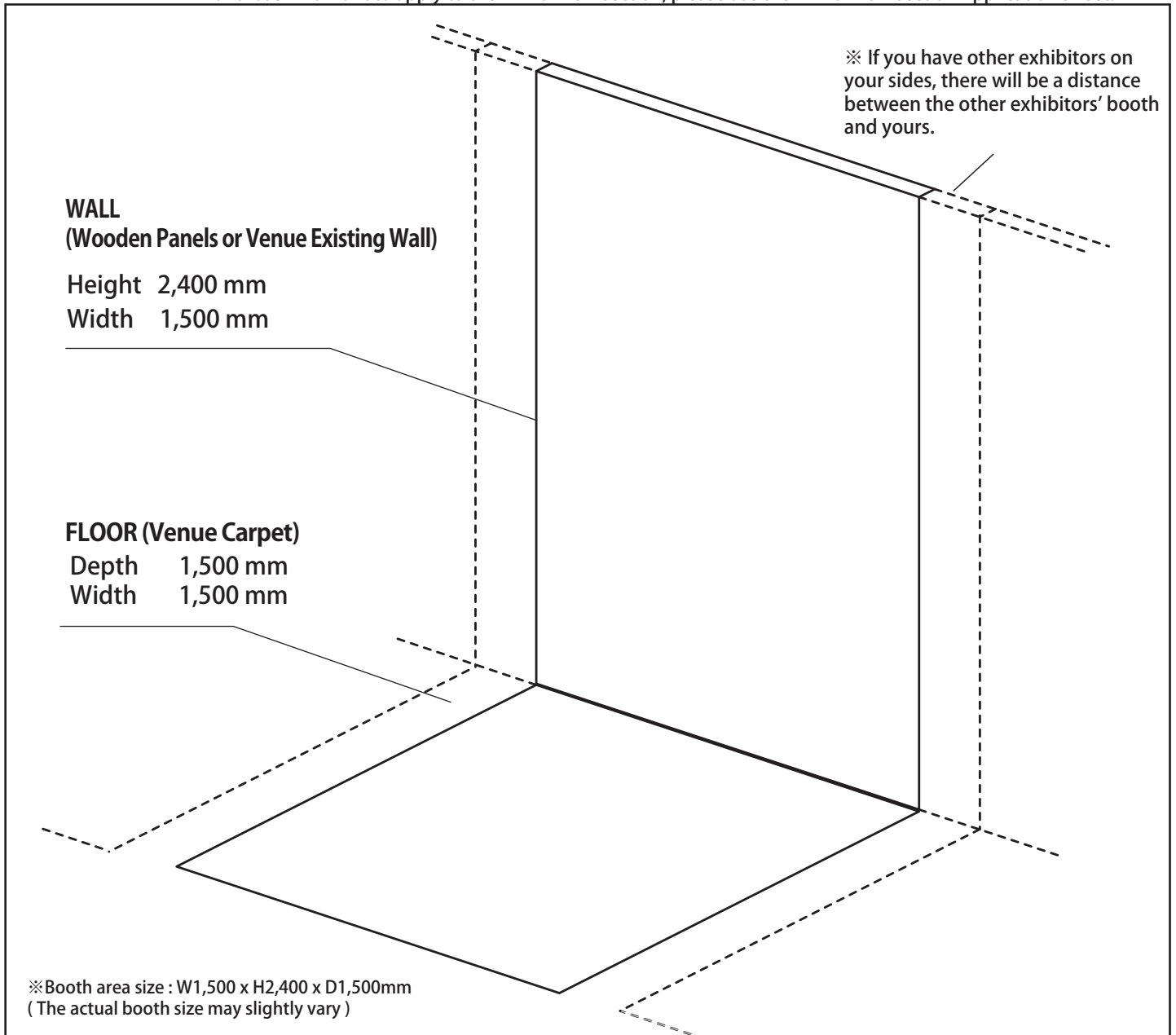


Registration number (Office use only)

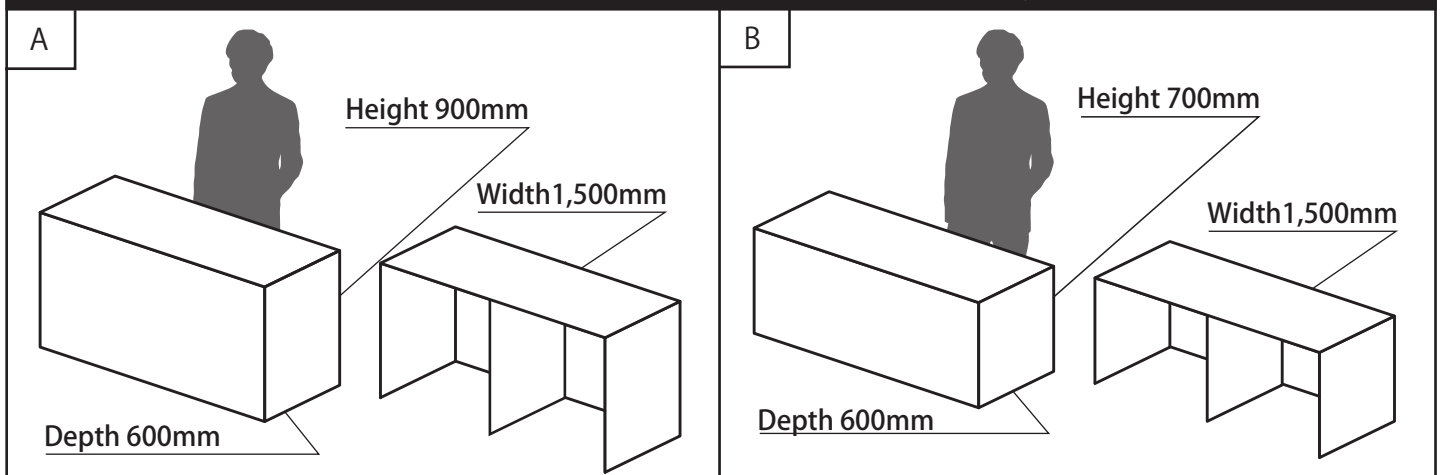
MARKET

■ Exhibition plan ※ Only 1 exhibition plan allowed per application.

For those who want to apply to the EXHIBITION section, please use the EXHIBITION section Application Sheet.



The applicant can select either one of [A] or [B] Counter in the application form. Please include the counter into your exhibition plan .



※ Please consider your plan within the booth only.

※ If you hand write anything, please make sure that your writing is understandable.